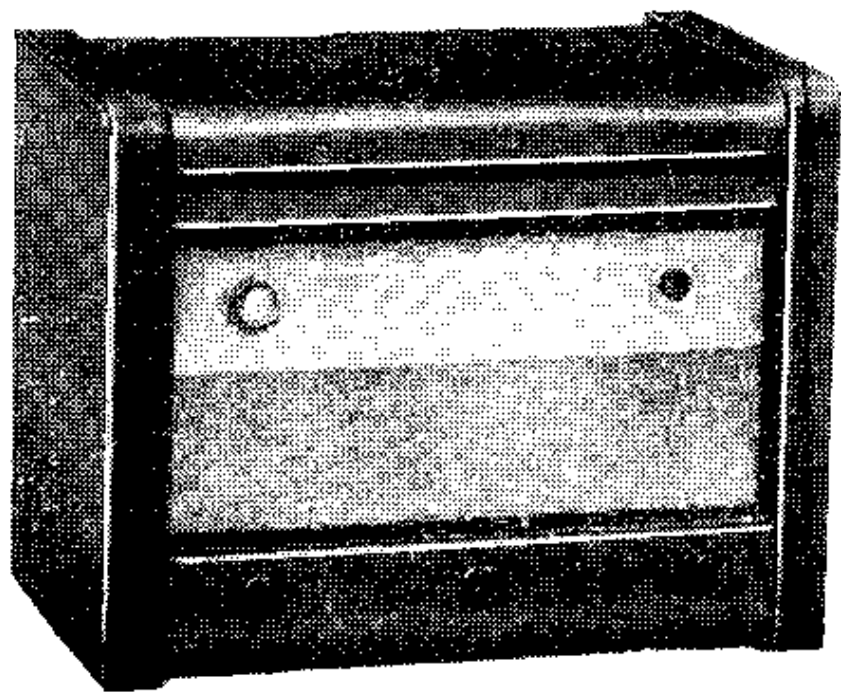
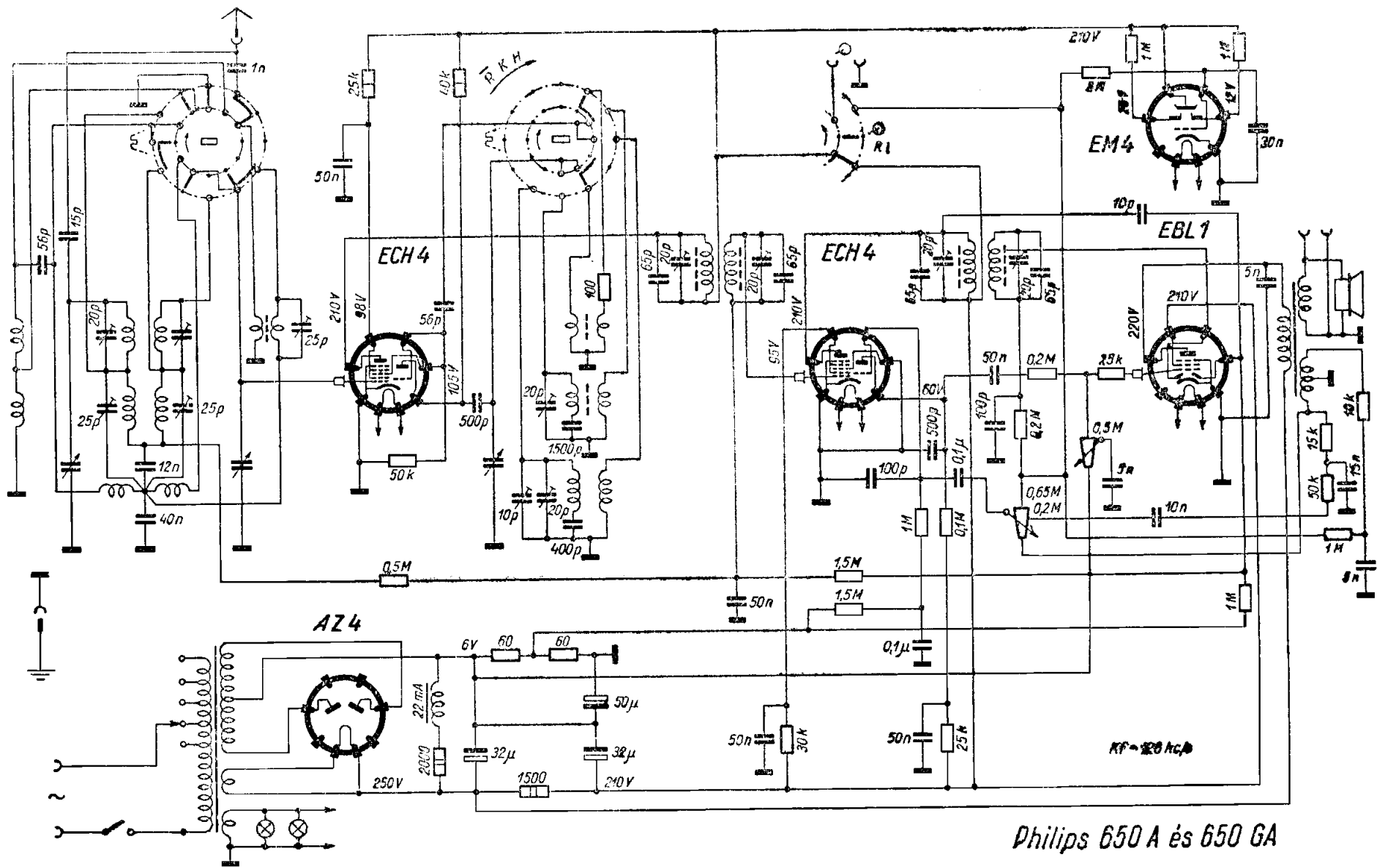


Philips 650 A és 650 U



Philips 650 GA



Philips 650 A és 650 GA

I: 16 - 51 m

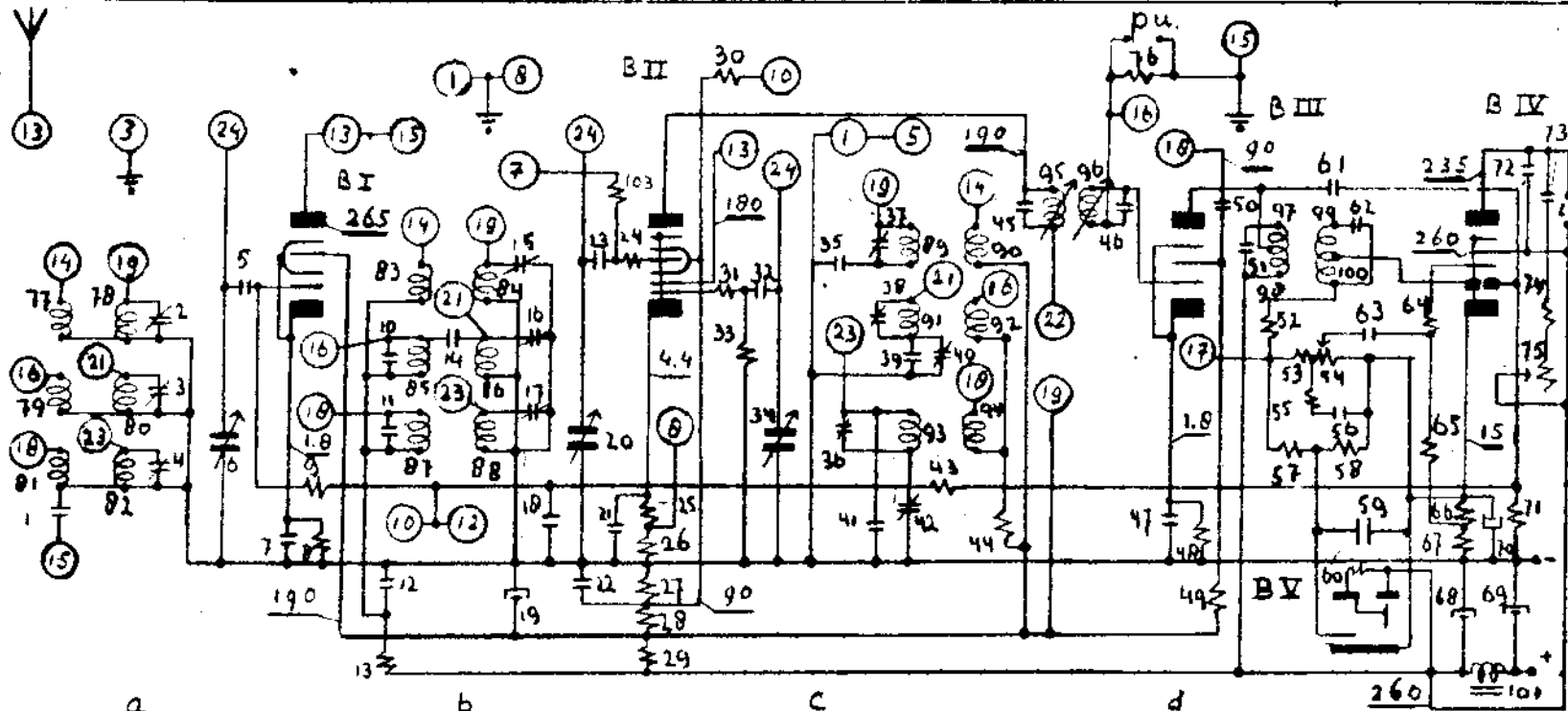
II: 198 - 585 m

III: 708 - 2000 m

IV:

M.F.: 473 KC/s

GOLFSCHAKELAAR

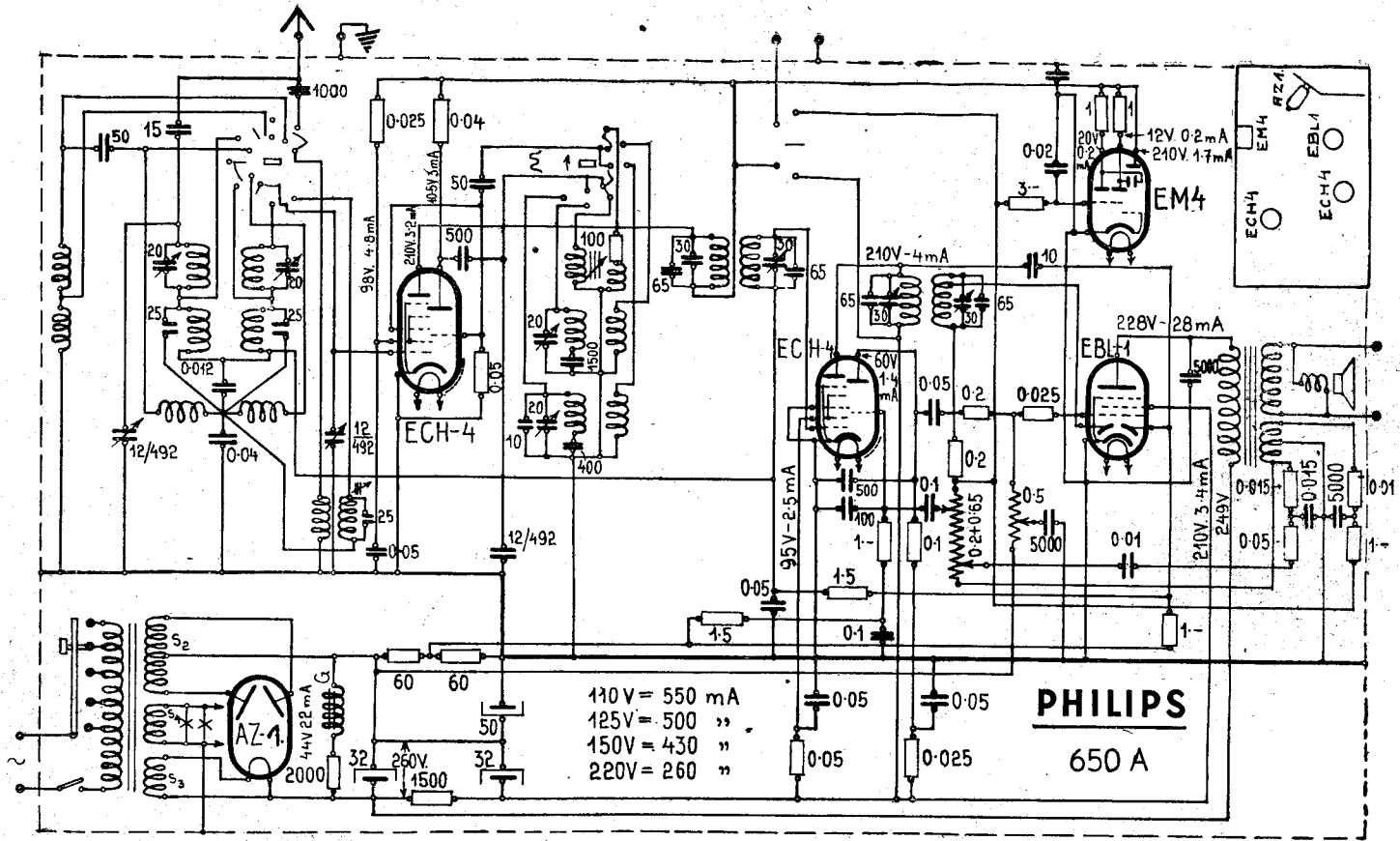


- I a: 3-21-23 13-14
19-24
- b: 1-21-23 8-10
13-14 19-24
- c: 1-21-23 8-10
13-14 19-24
- II a: 13-15-16 3-23
21-24
- b: 1-23 7-10
13-15-16
- c: 1-23 13-16 21-24
- III a: 13-15-18 23-24
- b: 7-12 15-18 23-24
- c: 13-18 23-24
- R. d: 15-16-18 19-22
- P. U. d: 17-18

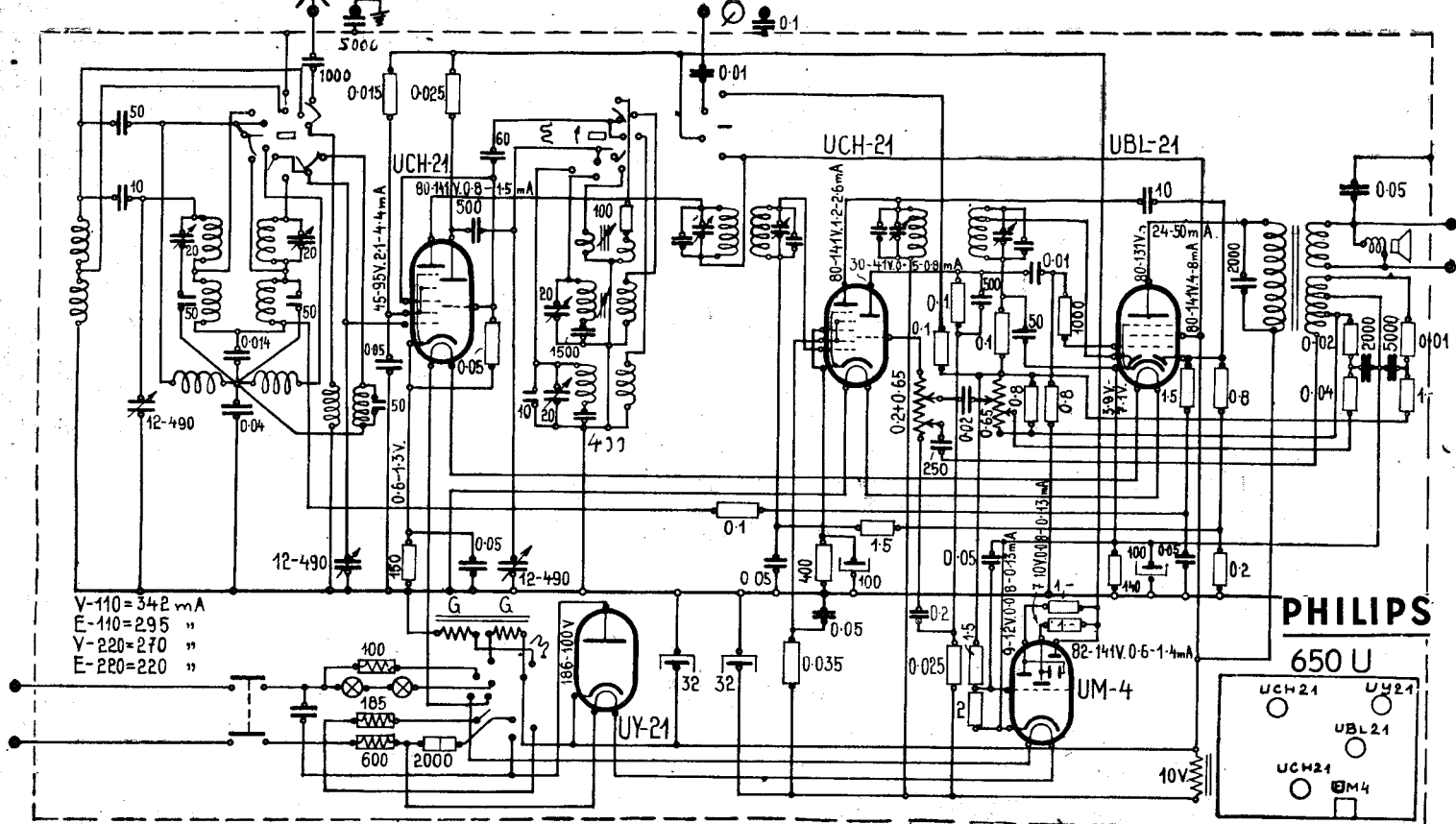
1 80pF	16 0-32 pF	31 500	46 105 pF	61 8 pF	76 0.5 MΩ	91 L 9 Ω	106
2 0-32 pF	17 0-32 pF	32 50 pF	47 50000 pF	62 105 pF	77 L 4 Ω	92 L 4 Ω	107
3 0-32 pF	18 0.1 mF	33 50000 Ω	48 320 Ω	63 20000 pF	78 L <1 Ω	93 L 20 Ω	108
4 0-32 pF	19 33 mF	34 0-490 pF	49 50000 Ω	64 1000 Ω	79 L 29 Ω	94 L 4 Ω	109
5 100 pF	20 0-490 pF	35 4500 pF	50 50000 pF	65 1 MΩ	80 L 6 Ω	95 L 8 Ω	110
6 0-490 pF	21 0.1 mF	36 0-32 pF	51 105 pF	66 160 Ω	81 L 116 Ω	96 L 8 Ω	111
7 0.1 mF	22 0.1 mF	37 0-32 pF	52 50000 Ω	67 200 Ω	82 L 46 Ω	97 L 4 Ω	112
8 400 Ω	23 100 pF	38 0-32 pF	53 0.35 MΩ	68 32 mF	83 L 3 Ω	98 L 5 Ω	113
9 0 Ω	24 32 Ω	39 400 pF	54	69 28 mF	84 L <1 Ω	99 L <1 Ω	114
10 65 pF	25 500 Ω	40 200 pF	55 50000 Ω	70 25 mF	85 L 280 Ω	100 L 5 Ω	115
11 250 pF	26 160 Ω	41 40 pF	56 50000 pF	71 0.64 MΩ	86 L 5 Ω	101 L 395 Ω	116
12 50000 pF	27 50000 Ω	42 200 pF	57 5 MΩ	72 2000 pF	87 L 470 Ω	102 Lsp 5 Ω	117
13 2000 Ω	28 32000 Ω	43 1.25 MΩ	58 0.64 MΩ	73 50000 pF	88 L 46 Ω	103 0.82 MΩ	118
14 3 pF	29 8000 Ω	44 2000 Ω	59 50000 pF	74 100 Ω	89 L <1 Ω	104	119
15 0-32 pF	30 20000 Ω	45 105 pF	60 2 MΩ	75 50000 Ω	90 L 1 Ω	105	120

B	Type	G ₁	G ₂	G ₃	G ₄	A
I	EF8		0.1			4.3
II	EK2		3.5	1.3		2.1
III	EF9		2			6.4
IV	EBL1		5.5			3.4
V	EM1		0.3			0.1
VI						
VII						
VIII						
IX						
X						

MERK: PHILIPS
 TYPE: 650 A-U
 Scan: The World of Wireless



PHILIPS 650 A.



PHILIPS 650 U.